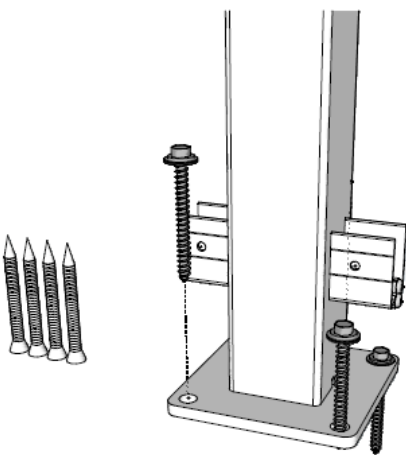


Engineered Post Fix Kit – Replacement Screws



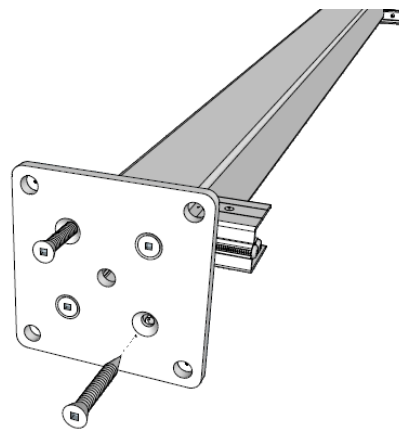
4 – New base plate fastening screws

Simple Post Fix Procedure – Replacement Screws



1

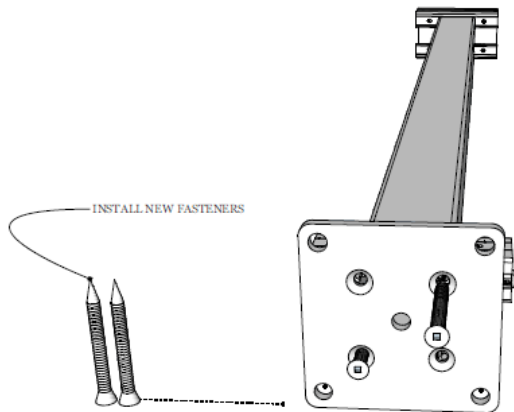
Remove lag screws affixing post to deck (not part of the ProBuilt railing system)



2

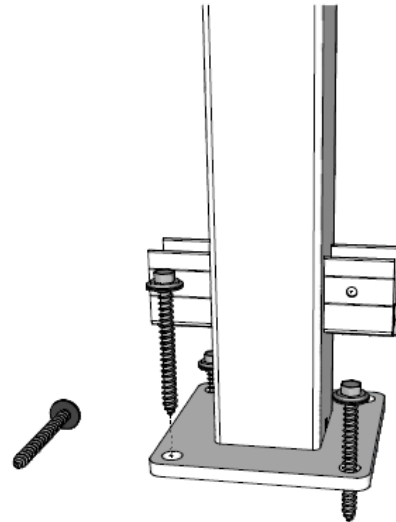
Remove screws on bottom of post that affix base plate to post

Simple Post Fix Procedure – Replacement Screws



3

Install 4 new replacement screws supplied for fix



4

Re-affix post to deck with appropriate lag screws (not part of the ProBuilt railing system)